

# GASSHIELD® GSD DIFFUSER SERIES

## NICKEL MEDIA

**mott**  
MISSION CRITICAL PRECISION

GasShield® Diffusers offer the longest life at **2 MILLION CYCLES** and the **INDUSTRY BEST PARTICLE CAPTURE AT 1.5NM**

## DESCRIPTION

Mott GasShield® Diffusers quickly vent vacuum chambers to atmosphere which decreases cycle time and increases throughput. Mott stainless steel diffusers provide uniform and laminar gas flows without disturbing particles in the chamber. These diffusers also remove particles greater than 0.0015  $\mu\text{m}$  from incoming gas minimizing defects on the wafer. Stainless steel diffusers can withstand higher operating pressures and maintain product integrity for over 2 million cycles – the longest lifetime in the industry.

## APPLICATIONS

Mott diffusers are used in vent applications on load lock chambers, transfer chambers, cooling chambers, and process chambers of Semiconductor equipment interfaces (CVD, PVD, Etch, Epi) or other vacuum chambers.

## CONNECTIONS

- » Inlet: ¼" Male VCR
- » Outlet: ISO NW50 (Designed for bulkhead mount with standard ISO bulkhead clamps)
- » O-Ring Material: Viton A
- » O-Ring Size: 2-229
- » O-Ring Groove ID: 2.32" (58.9 mm)
- » O-Ring Groove OD: 2.64" (67.1 mm)
- » O-Ring Groove Depth: 0.160" (4.1 mm)



## MATERIALS

- » Hardware: 316L SS
- » Filter Medium: Nickel

## SPECIFICATIONS

Particle Removal Size:	$\geq 0.0015 \mu\text{m}$
Particle Shedding:	Zero particle contribution above background ( $<1$ particle/ft <sup>3</sup> ) per SEMIF43-0308 test method

**Mykron**

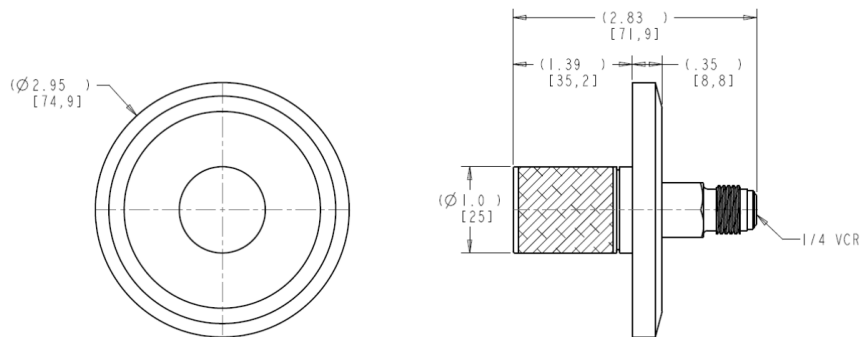
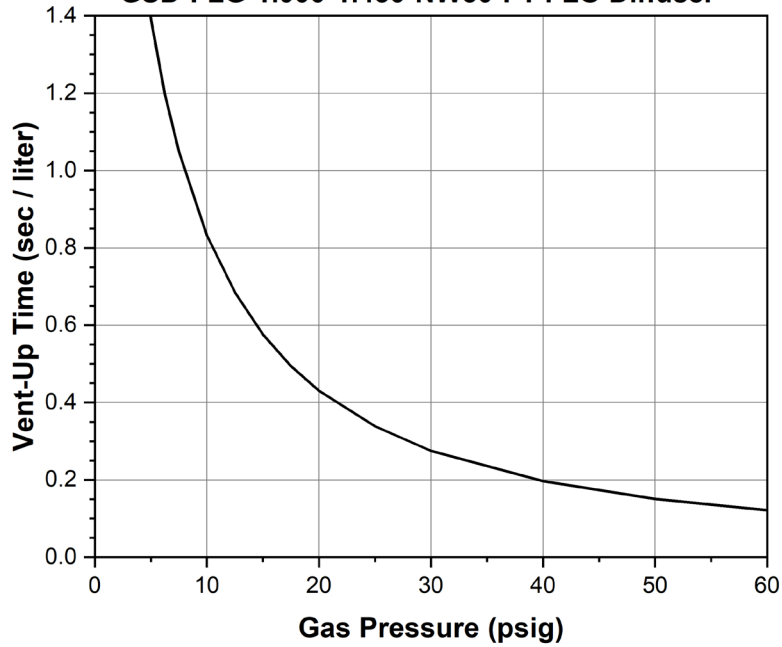
Mykron Microelectronics Co., Ltd. 上海资方微电子有限公司

No.12 Yi, Chao Yang Men Street (North), Beijing, 100020, China  
Beijing: Tel. (86)10-6551 0500 Fax (86)10-6551 0501

<http://www.mykrons.com>



**Performance Data for Mott  
GSD-FLG-1.000-1.450-NW50-F1-FLO Diffuser**



## ORDERING INFORMATION

Part Description	Part Number	Fitting Type	Outlet Connections
GSD-FLG-1.00-1.450-NW50-F1-FLO	2390490-FLO-H	1/4" Male Face Seal	ISO NW50 (Bulkhead mount with standard ISO bulkhead clamps)

\*Custom designs and fittings available. Contact a Mott representative for more information.

## WARRANTY

Mott Corporation ("Mott") warrants its GasShield diffuser will meet the specified retention and media integrity standards for a period of five years or 2,000,000 cycles whichever comes first from the date of purchase, providing the diffuser is properly installed and used in accordance with the specified flow, pressure, temperature, and chemical compatibility as published by Mott. Mott will replace or grant a purchase price refund for any GasShield diffuser which proves defective under the terms of this limited warranty. No other remedies apply. Mott disclaims all other warranties, either expressed or implied, including any warranty of merchantability or fitness for a particular purpose. Mott shall have no liability for consequential, incidental, special or punitive damages, lost profits or savings, or damages from lost production or damage to other materials.