

## ▣ Mott High Purity Fiber Filters FLP Series



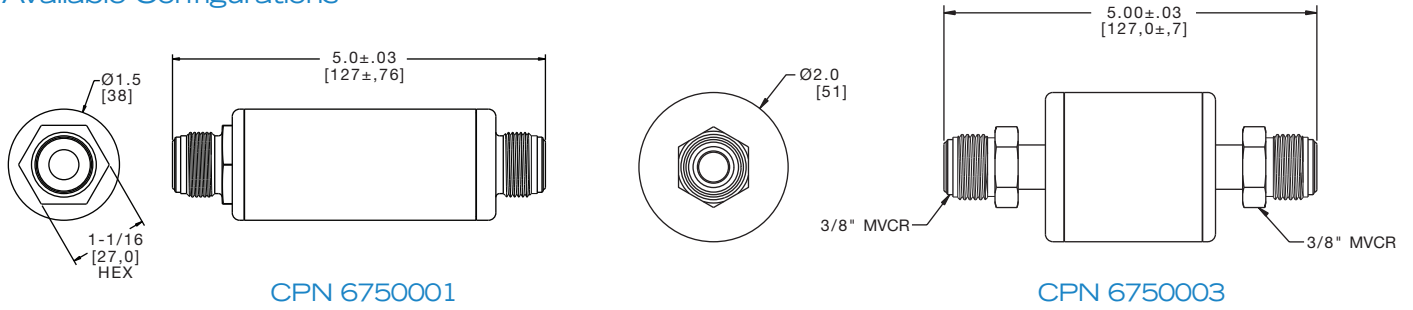
Designed for Low Pressure Drop Applications  
High Flow Rate/Low Pressure Drop

- High Temperature Tolerance (up to 450°C)
- Maximum Inlet Pressure up to 2500 PSIG
- 100% 316L Stainless Steel Construction
- Ideal for Low Vapor Pressure Gases from Liquid Source Volatile Precursors
- $1 \times 10^{-9}$  atm cc/sec Helium Leak Rate
- Cleaned and Packaged in Class 100 Clean Room
- Removal Rating:  $\geq 0.003 \mu\text{m}$
- High Flow with Low Pressure Drop
  - Hook-Up Applications
  - Gas Delivery Systems

▣ high purity products

▣ [mottcorp.com](http://mottcorp.com)

## Available Configurations

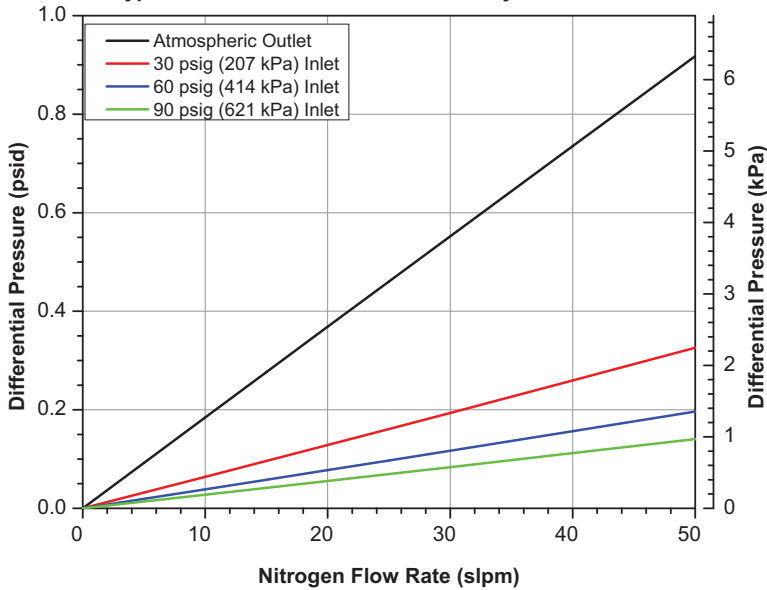


## Dimensions

| CPN     | Part Description | Diameter      | OAL           | End Fitting    | Media Material  |
|---------|------------------|---------------|---------------|----------------|-----------------|
| 6750001 | FLP515FF33       | 1.50" (38 mm) | 5.0" (127 mm) | 1/2" VCR       | Stainless Steel |
| 6750003 | FLP502FF22       | 2.00" (51 mm) | 5.0" (127 mm) | 3/8" VCR       | Stainless Steel |
| 6750002 | FLP552FF11P      | 2.00" (51 mm) | 5.5" (140 mm) | 1/4" MVCR/FVCR | Stainless Steel |

## Mott High Purity FLP Series Filters

**Mott FLP515 Flow Rate vs. Differential Pressure**  
Typical Flow Curves as a Function of System Pressures



**mott corporation**



ISO 9001:2008 CERTIFIED  
HPFLP 7/13

**Mykron**

84 Spring Lane, Farmington, CT 06032-3159 | 860-747-6333 Fax 860-747-6739  
www.mottcorp.com | email: quest@mottcorp.com

Mykron Microelectronics Co., Ltd. 上海资方微电子有限公司

No.12 Yi, Chao Yang Men Street (North), Beijing, 100020, China  
Beijing: Tel. (86)10-6551 0500 Fax (86)10-6551 0501  
Shanghai: Tel. (86)21-6888 5300 Fax (86)21-6888 5301  
http://www.mykrons.com