

## TS12T Series Thermostatic Temperature Switches

Precision Sensors line of RTD temperature probes has been designed to maximize isolation of the element and the probe from the mounting fitting and shell. This results in faster response and the least possible conductivity error. The standard sensing element is platinum with a (European) alpha (temperature coefficient) of .00385. Other alphas are available. Standard construction features a S.S. shell with integral probe, welded to a S.S. hermetic connector. A lower cost aluminum shell with mechanically mounted connector (non-hermetic) is available. The mounting fitting, probe dia., probe length and connector type are customized for each application.



### Features

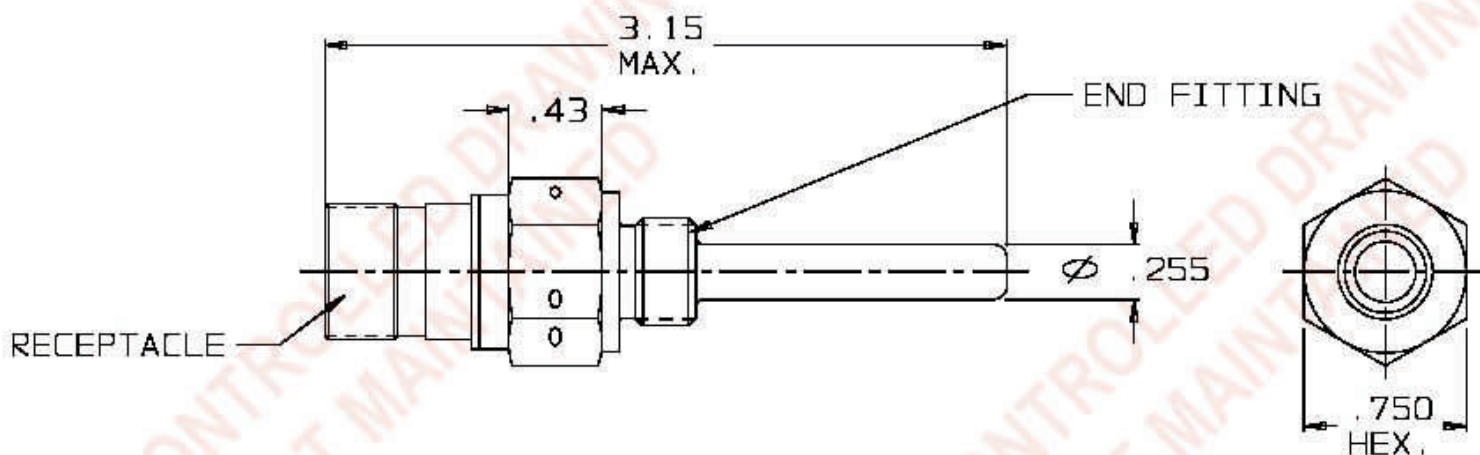
- Fast response time
- Low conductivity loss
- Burst pressure to 12,500 PSI
- Special coefficients available

### Specifications

Media	Any gas or liquid compatible with stainless steel
Temperature Range	-200° to 400° F (-129° C to 205° C)
Type	Factory Set
Alpha	0.00385 (European)
Deviation	± 0.8 OHMs up to 400° F
Proof Pressure	Up to 12,500 PSI
Mounting Fitting	As required - typically MS33656
Probe Ø & Length	As required
Current	5 mA max
Electrical Connections	MS Connector Free leads
Typical Weight	4 oz.
Qualification	Consult Factory
Warranty	18 Months

## TS12T Series Temperature Switches

### Dimensional Drawings



**TS12T SERIES**