



# Wafergard<sup>®</sup> T-Line Gas Filter Units

For 6-stack, 12-stack, and 40-stack gas cartridge filters

## Applications

- For applications which require flow rates up to 1500 slpm (50 scfm)
- Recommended for use with non-toxic, non-reactive gases
- Typically used in pneumatically driven equipment
- Clean, dry air for industrial applications



## Product Features

Designed and manufactured for the removal of particles in non-toxic and non-flammable inert gas applications

Fitted with the appropriate Wafergard filter cartridges, the system effectively retains particles of 0.003 $\mu$ m size and above.

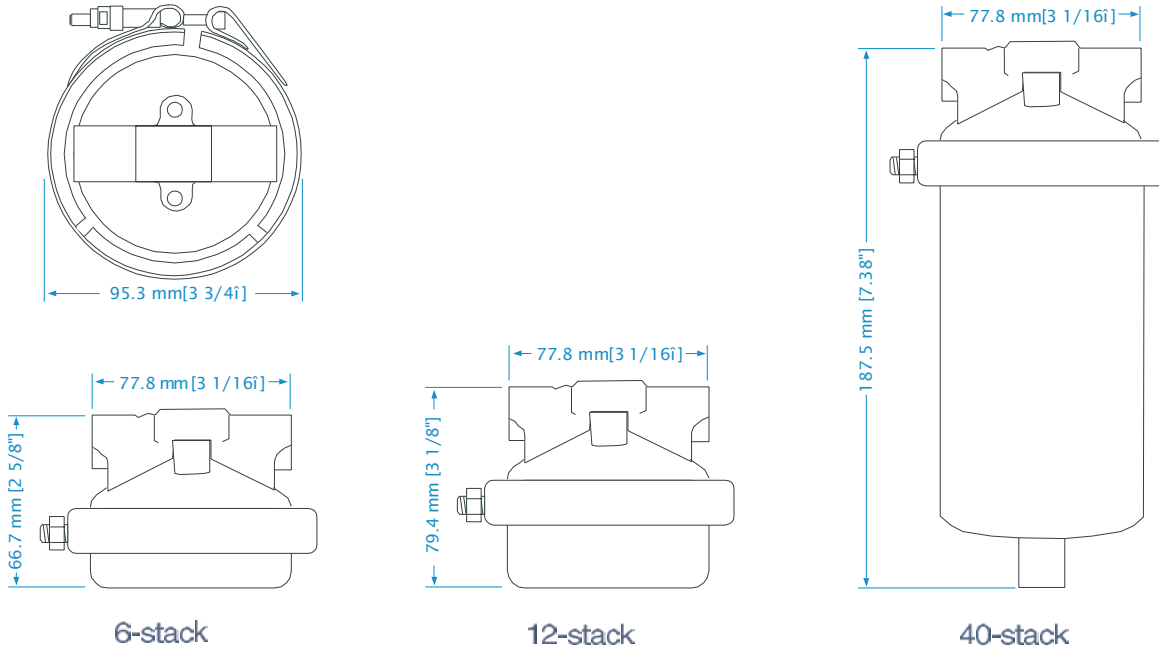
## Product Benefits

Easy filter replacement without breaking gas line connections

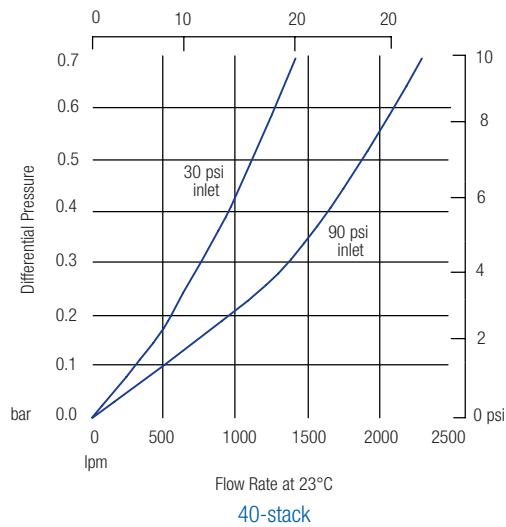
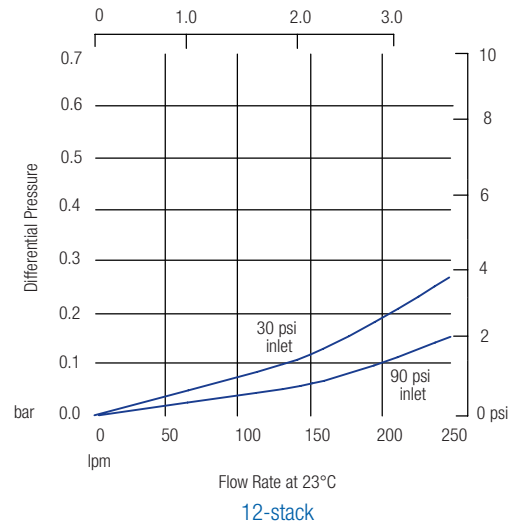
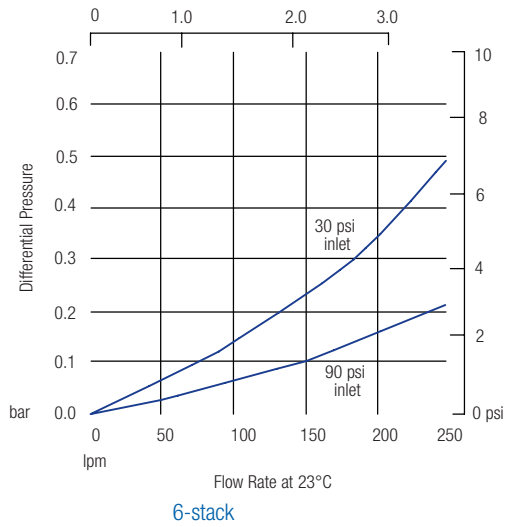
Multiple configurations for optimization of your process

Each filter unit is integrity tested for maximum performance and purity

## Dimensions



## Flow Rates



## Specifications

Materials	
Housing	Head and bowl are eletropolished 316 stainless steel, with Viton O-ring
6-stack, 12-stack Filter	Hydrophobic Durapore PVDF membrane supported by molded polysulfone stacked disk
40-stack Filter	Hydrophobic Teflon PTFE membrane supported by molded Halar ECTFE stacked disk
Filter Seal	Viton O-ring (alternate EPR O-ring seal included)
Removal Rating	0.003 µm
Filter Area	6-stack 300 cm <sup>2</sup> (46.5 in <sup>2</sup> ) 12-stack: 600 cm <sup>2</sup> (93.6 in <sup>2</sup> ) 40-stack: 2000 cm <sup>2</sup> (2.2 ft <sup>2</sup> )
Flow Rate	6-stack up to 300 slpm (10 scfm) 12-stack: up to 600 slpm (20 scfm) 40-stack: up to 1500 slpm (50- scfm)
Operating Conditions	Maximum Inlet Pressure: 10.5 bar (150 psig) at 20°C 3.5 bar (50 psid) at 100°C Maximum Differential Pressure: 4 bar (60 PSID) at 20°C Maximum Back Pressure: 0.7 bar (10 PSID) at 20°C Maximum Recommended Temperature: 120°C
Warranty	2 year
Particle Retention	Greater than 99.999999% removal of all particles (referenced at the most penetrating particle size)

## Ordering Information

<i>Description</i>	<i>Fitting Size/Quantity</i>	<i>Catalog #</i>
Wafergard T-Line 6-stack Filter System		
Wafergard T-Line 6-stack Filter System Housing	1/4" NPTM	YY50 00 510
Wafergard T-Line 6-stack Filter System Cartridge Filter, 2-115 O-ring	2 per package	WGGB 06 S02
Wafergard T-Line 12-stack Filter System		
Wafergard T-Line 12-stack Filter System Housing	1/4" NPTM	YY50 00 500
Wafergard T-Line 12-stack Filter System Cartridge Filter, 2-115 O-ring	2 per package	WGGB 12 S02
Wafergard T-Line 40-stack Filter System		
Wafergard T-Line 40-stack Filter System Housing	1/2" NPTM	YY55 00 030
Wafergard T-Line 40-stack Filter System Cartridge Filter, 2-108 O-rings (2)		WGGB 40 S01
Accessories		
Clamp, 40-stack housing system		YY50 00 561
Surface/wall mounting bracket, 40-stack housing system		YY55 00 031
Wall mounting bracket (6-stack and 12-stack housings)		YY50 00 521
Surface mounting bracket (6-stack and 12-stack housings)		YY50 00 551
1/4" NPTM to 1/4" compression seal adaptor	2 per package	YY50 00 511
1/4" NPTM to 3/8" compression seal adaptor	2 per package	YY50 00 512
O-ring, 2-337, Viton		YY50 00 571
O-ring, 2-337 E-P		YY55 00 002
O-ring, 2-337 Silicone		YY55 00 003

AUSTRALIA  
1-800-222-111

AUSTRIA  
01-50222-1237

BELGIUM  
02-640-4185

CANADA  
877-695-7654

CHINA, PEOPLE'S REPUBLIC OF  
Beijing  
86-106-518-1058

Guangzhou  
8620-8752-0173

Hong Kong  
852-2803-9111

Shanghai  
8621-5306-9100

CZECH REPUBLIC  
+49-816-595-110

DENMARK  
3337-7247

FINLAND  
09-22100022

FRANCE  
04-76-35-73-50

GERMANY  
0816-595-110

GREECE  
8000-904

HUNGARY  
816-595-110

INDIA  
91-80-839-46-57

IRELAND  
01-799-7165

ISRAEL  
09-7405551

ITALY  
02-21-50-488

JAPAN  
Tokyo  
81-3-5442-9718

Kyushu  
81-92-471-8133

Osaka  
81-6-6390-0594

KOREA  
82-2-551-0990

LATIN AMERICA  
55-11-5548-7011

MALAYSIA  
60-3-7957-1322

THE NETHERLANDS  
020-6545-226

POLAND  
816-595-110

RUSSIA  
095 532 8375

SINGAPORE  
65-745-2422

SLOVANIA  
816-595-110

SPAIN  
91-375-3381

SOUTH AFRICA  
011 444 2280

SWEDEN  
40-534070

SWITZERLAND  
French-speaking  
022-823-0450

German-speaking  
01-439-5356

TAIWAN  
Tainan  
886-6-589-6008

Hsin Chu City  
886-3-571-0178

UNITED KINGDOM  
0179-361-5808

UNITED STATES OF AMERICA  
781-533-6000 Bedford, MA  
972-359-4000 Allen, TX

*For additional information call your nearest Mykrolis office.*

*In the U.S. and Canada call toll free:  
1-800-Mykrolis*

*In the U.S., Canada, and Puerto Rico, fax orders toll free:  
1-800-Mykrofx*

*Find the latest catalog, data sheets, and technical briefs on-line:  
<http://www.mykrolis.com> or E-mail: [tech\\_service@mykrolis.com](mailto:tech_service@mykrolis.com)*



*Mykrolis and the Mykrolis Logo are trademarks of Mykrolis Corporation.  
Wafergard and Duropore are registered trademarks of Mykrolis Corporation.  
VCR is a trademark of Cajon Company.  
Viton is a trademark of Dupont Dow Elastomers, L.L.C.  
Teflon is a trademark of E.I. du Pont de Nemours and Company.  
Halar is a trademark of Ausimont USA, Inc.*

*Mykrolis is formerly the Microelectronics Division of  
Millipore Corporation*

*Mykrolis is a trademark of the Mykrolis Corporation.*

*Lit. No. PF2023Enus  
Printed in the USA  
05/02  
VH1.5k*

*©2002 Mykrolis Corporation. All rights reserved.*

# Mykron

Mykron Microelectronics Co., Ltd.

上海资方微电子有限公司

Suite 318, B Office Tower, Poly Plaza

No.14, Dong Zhi Men Street (South), Dong Cheng District

Beijing, 100027, China

Tel. (86)10-6551 0500 Fax (86)10-6551 0501